



With white endcaps and fascias in a white body, PEARL reflects the predominant colour scheme of contemporary furniture – silver/grey frame with white worksurfaces. PEARL has, like the full range of OE Electrics products, been designed to allow soft power cabling, soft data cabling and soft fixing on-site. In addition, PEARL features our NEW front mount half-gang fascia which, can not only be factory fitted with data or AV connectors but also, allows: faster, simpler, and more cost effective addition/removal/change of data on-site – a further step towards OE Electrics' goal of allowing the customer 'soft-choice' on-site.

Used in conjunction with underdesk units and appropriate cable management components, PEARL provides a total solution for power and data connectivity at the workstation, assisting with the requirements of the Disability Discrimination Act (DDA) by providing easily accessible facilities.

Taking up minimal space on the desk, or even hung from a screen or toolrail, PEARL is the perfect way to achieve compliance with the requirements of the Electricity at Work Act through compliance with BS6396 whilst complementing the modern workspace.



USPs

- Takes up minimal space on the desk
- Available with TUF charger
- BS6396 compliant (where applicable)
- Numerous fitting options
- All white unit



technical

Common Modular Components*



White UK fused socket (In pairs only)



6C shuttered fascia



RJ45 Cat5e/Cat6



Angled RJ45



LJ6 Telephone



Phono video/audio



White TUF (Twin USB Fast charger)



HDMI



USB



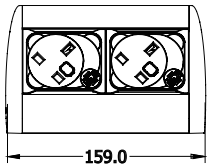
6C cutout



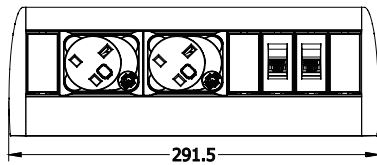
3.5mm stereo

Standard Unit Lengths

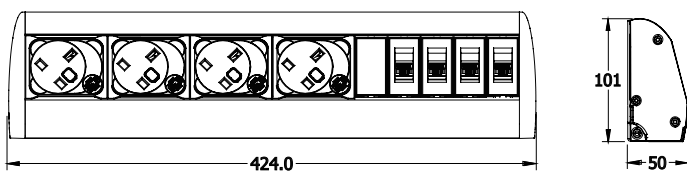
Pearl 25/...



Pearl 50/...



Pearl 75/...



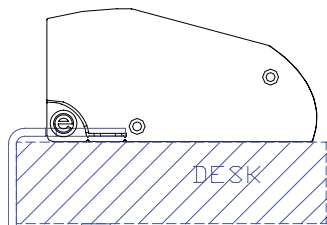
Standard Fixings (in grey unless otherwise specified)

- CBV Vertical Clamp Bracket 13 - 40mm
- CBV-E Vertical Clamp Bracket (Extended) 25-55mm
- CBH Horizontal Clamp Bracket 20 - 35mm
- FTL Stick down fixing (Horizontal)
- TFB⁺ Top Fix Bracket (Horizontal)
- EB Eared Bracket (Vertical)*
- TRS Tool rail fixing (Vertical)*
- RF Rubber feet (Horizontal)

*Please call to confirm screen/toolrail compatibility

⁺TFB fixing is not 'soft' and cannot be changed on-site

Horizontal



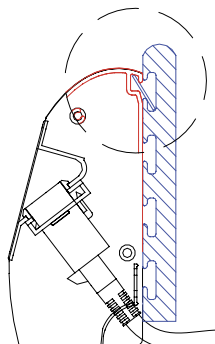
CBH - Horizontal Clamp Bracket

Desk Clamp available for desks with a thickness between 20 and 35mm

Custom brackets available on application

Screen Fixing

Screen/toolrail fixings can be provided to suit most applications - call our technical team for advice on which to use

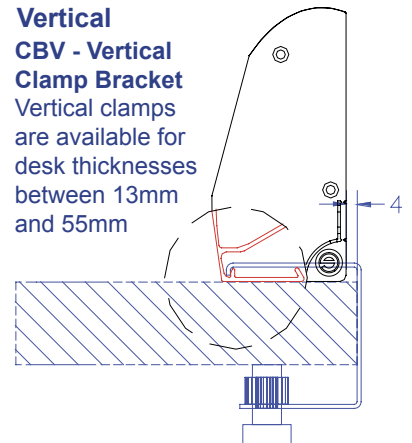


Angled data fascias allow data cabling to pass straight through PEARL, ensuring the integrity of cables which have a minimum bend radii (CAT5e, CAT6, etc)

Vertical

CBV - Vertical Clamp Bracket

Vertical clamps are available for desk thicknesses between 13mm and 55mm



Features

Configuration:

Power only / Data only / Combined (Power & Data/AV)
Internal segregation between Power and Data/AV in combined PEARL units

Earthing:

Earthing is available from an earth slot in the rear of the unit to allow bonding to furniture (in accordance with BS6396). Earth leads are available on request.

Fusing: (to enable compliance to BS6396)

5 x 20mm anti-surge ceramic fuses, with colour-coded fuseclips to denote the rating (3.15A/5A)

Increased flexibility - All PEARLs are supplied with cables exiting the rear. However, side exit facility is available on all vertical units through a snap-out endcap. Side exit choice can be taken on site and does not require disassembly of PEARL

Security:

ANTI-FLEX system: Unique full length locking system guarantees unit integrity regardless of length

Testing:

100% testing - continuity, polarity, insulation & earth

Soft Wiring (power)

Power hardwired to Wieland GST connector allows starter cables to be changed to suit requirements, especially useful during moves and changes (CHURN)

Soft Wired Data

As well as soft-wired power, PEARL can accommodate soft wired data. Using our inline couplers, data cables can be changed "on-site" to accommodate changes in length often associated with churn

Soft Fixing

PEARL is designed to allow brackets to be changed on-site. Unless stated otherwise, PEARL can simply be moved (using the same brkt) or attached to another feature on the desk simply by changing the bracket