

An ultra-compact in-surface power, data and AV unit with press and full soft-eject mechanism.

OE Electrics' design brief for their new longitudinal in-surface module was for: the most compact; simplest to install; internationally compatible and technically capable; auto-opening power and data module on the market, whilst maintaining a sleek design, aesthetic and robust high quality feel.

An uncompromising desire to hold to these requirements has led to PIVOT, a unit that not only satisfies the office furniture market's desire for an ultra-compact personal power and data module, but is equally suited to the kitchen, home or hotel environment and can even be installed in soft furnishings (eg: chairs, sofas or benches). With a minimum depth requirement of only 64mm, the PIVOT is the first in-surface module to offer the real prospect of vertical surface (screens, walls or panel systems) installation – allowing power and data outlets to be 'hidden' yet easily accessible.



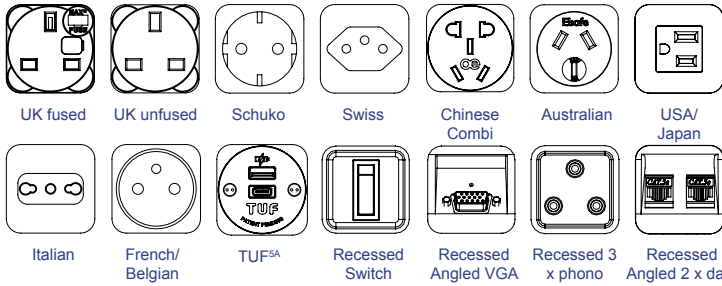
USPs

- Ultra compact in-surface unit
- Available with TUF charger
- Minimum depth requirement 64mm
- BS6396 compliant (where applicable)
- Available with power sockets from different nationalities

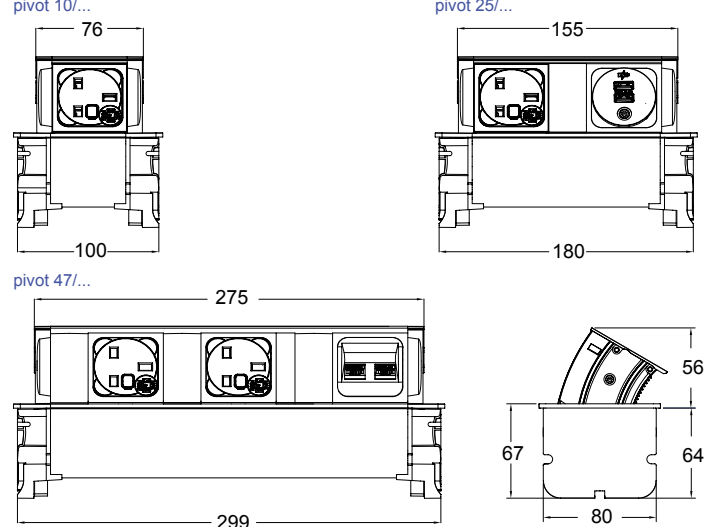


technical

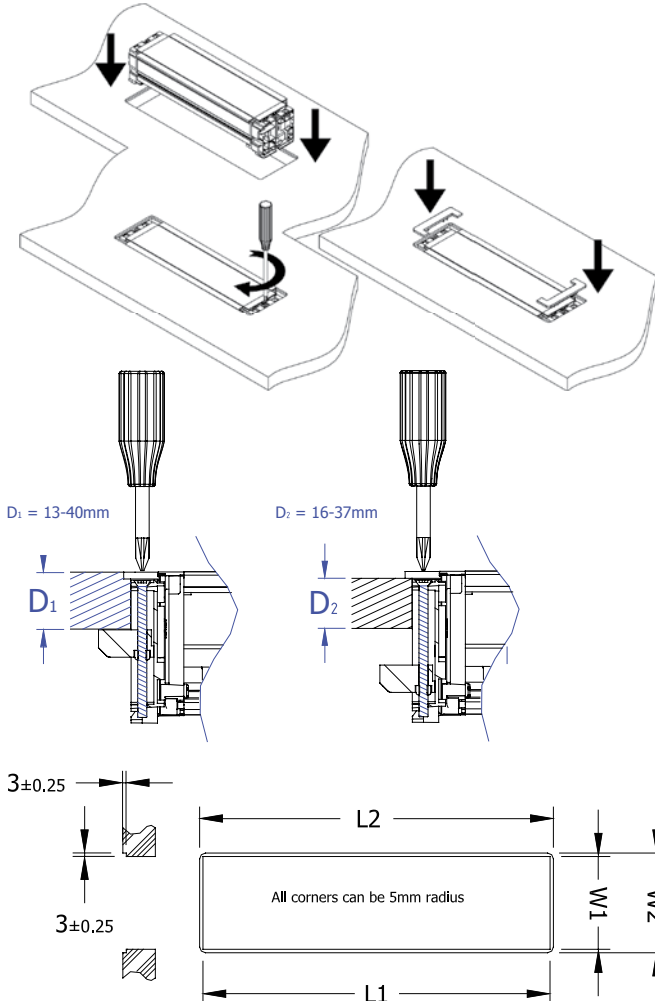
Common Modular Components*



Standard Unit Lengths



Installation Instructions



Features

Configuration:

Power only / Data only / Combined (Power & Data/AV)
Internal segregation between Power and Data/AV in combined PIVOT units

Earthing: Fully earthed aluminium construction - **both body AND frame** - as required by BS6396

Earth Bonding:

Earth bonding slots along length of the unit allow the attachment of earth bonding lead with standard 3mm ring terminal.

Fusing:

(to enable compliance to BS6396)
5 x 20mm anti-surge ceramic fuses, with colour-coded fuseclips to denote the rating (3.15A/5A)

Testing:

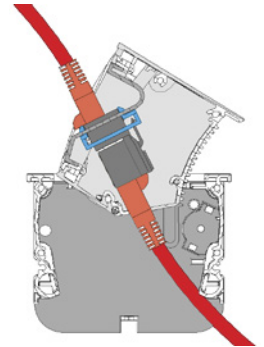
100% testing - continuity, polarity, insulation & earth

Soft Wiring (power)

Power hardwired to Wieland GST connector allows starter cables to be changed to suit requirements, especially during moves and changes (CHURN)

Soft Wired Data

As well as soft-wired power, PIVOT can accommodate soft wired data. Using our inline couplers, data cables can be changed "on-site" to accommodate changes in length often associated with churn. Angled data fascias allow data cabling to pass straight through PIVOT, ensuring the integrity of cables which have a minimum bend radii (CAT5e, CAT6, etc)



Added installation features

Full face side installation – the clamping system operating from the front face, for surface thicknesses of 13 – 45mm (for less than 13mm surface thickness - rear access would be required)

Ultra slim 80mm cutout - with full flange to mask cutting inaccuracy, but also allows PIVOT to be considered for installation in soft furnishings.

Minimal 64mm depth requirement – poses minimal intrusion into rear compartment and allows vertical surface installation (eg: kitchen wall)

Cutout dimensions

Size	pivot 10	pivot 25	pivot 47
L1	100(+2/-0)	180(+2/-0)	299(+2/-0)
W1	80(+2/-0)	80(+2/-0)	80(+2/-0)
L2	106.5(+0.25)	185.7(+0.25)	305.0(+0.25)
W2	86(+0.25)	86(+0.25)	86(+0.25)

L1/W1 - Cutout dimension L2/W2 - Recess dimensions