



Work and fun can go together with OE Electrics' PLANET desktop power module. With its eye catching spherical design, lively colour combinations and optional LED ring, PLANET is perfect for your breakout areas, café's and meeting rooms.

The three socket apertures in PLANET can be configured with your choice of AC Power and data/AV including our patent applied for TUF-R upgradeable USB charger.

Planet is supplied complete with integral fixing grommet and locking nut for secure and tool free installation in industry standard 80mm grommet apertures.



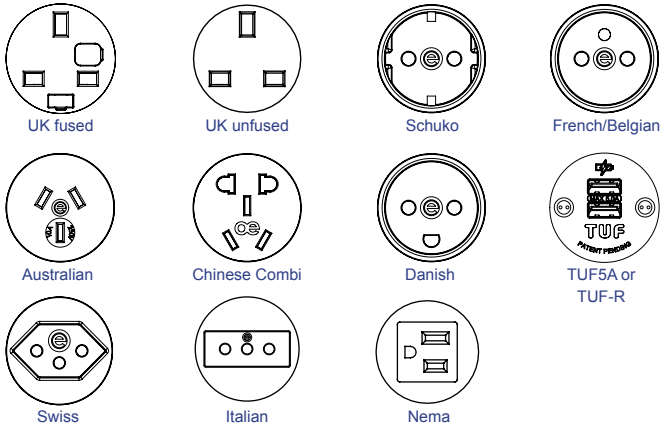
USPs

- Unique Sphere Design
- TUF-R USB charger option
- LED ring option
- Secure desk top mounting



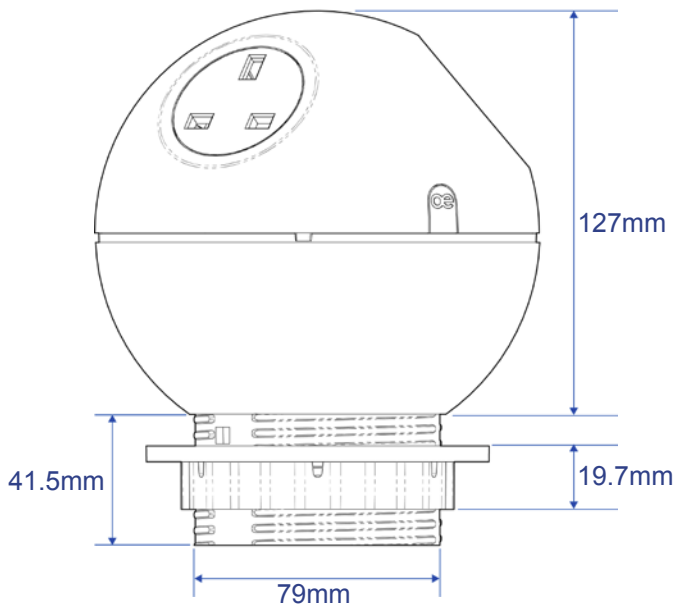
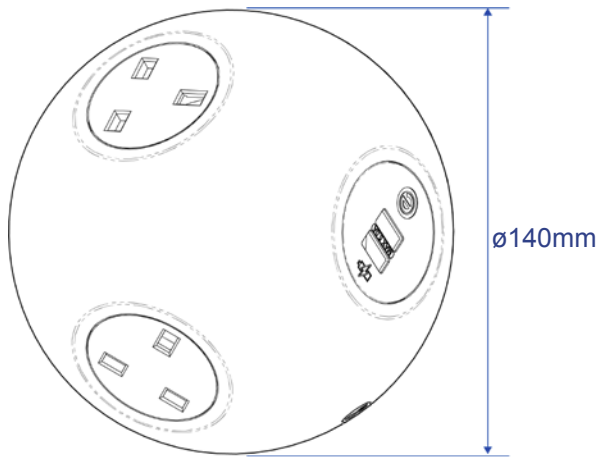
technical

Common Modular Components*



*We stock a variety of other modular components. Please enquire for specifics.

Dimensions



Configuration

The PLANET three socket apertures may be configured with our class leading 5A Twin USB Fast charger (TUF), AC power sockets from the OE 42mm modular range and /or data/AV sockets. Power and data cable exit is through base. Planet can be ordered with a blue, red, green or white decorative LED ring powered by an internal LED driver.

Construction

PLANET comprises high-strength and flame retardant polycarbonate and ABS main body, base and fixing grommet mouldings. OE snap-in "42mm" modular power socket /TUF fascias are moulded from V0 rated polycarbonate.

Colours

- Upper dome – Full range of PLUTO colour options
- Under dome - Standard satin white or black. Custom colours to order
- Power socket fascia - black or grey socket fascias - black or grey
- Data/AV fascia - black or grey
- Power cable - white or black

Fusing (to enable compliance to BS6396)

UK sockets can be specified with 5 x 20mm anti-surge ceramic fuses, with colour-coded fuse clips to denote the rating (3.15A/5A)

Quality and Testing

All PLANET units are manufactured using ISO9001 quality controlled components and practices, and are 100% electronically tested before dispatch

- Visual: Configuration and appearance.
- Power sockets: Continuity, polarity, insulation & earth
- USB charger: Output voltage and resistance
- Data & AV: All sockets continually tested with batch performance testing

Power Cord

PLANET can be supplied hardwired to either a mains AC plug, or to a male Wieland GST connector for "soft wiring" e.g. connection to an under desk power module or direct to a floor socket via a starter cable.

Certifications

BS5733-2010 and UL962A/CSA22.2

CE marking

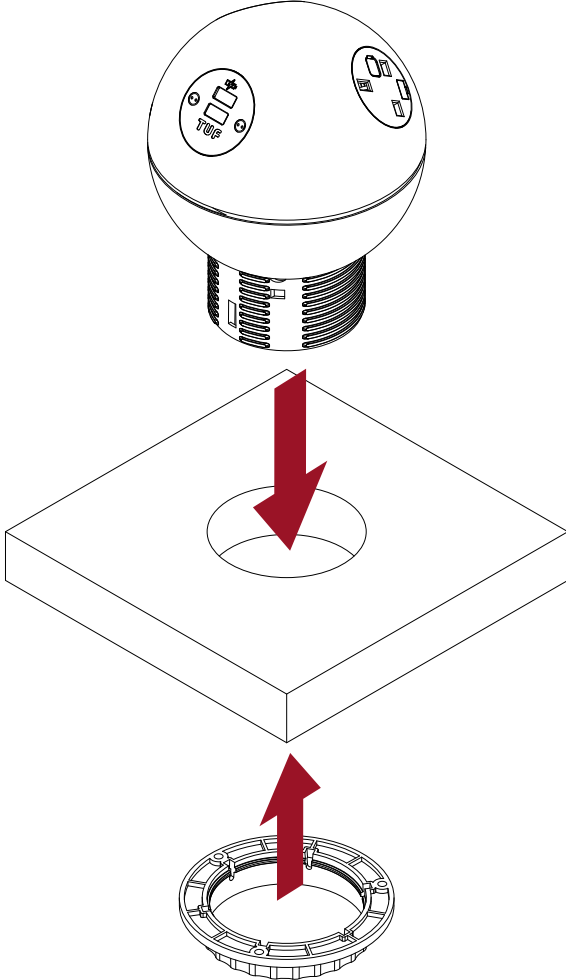
All units built with UK and European socket types are CE marked by OE Electrics

technical

Planet fitting

PLANET is designed to fit into an $\varnothing 80\text{mm}$ hole, in surfaces up to 30mm thick. If your surface does not have an $\varnothing 80\text{mm}$ hole, a 79mm hole cutter can be used to create one.

1. Place PLANET into the cutout



2. Tighten the locking ring until secure

